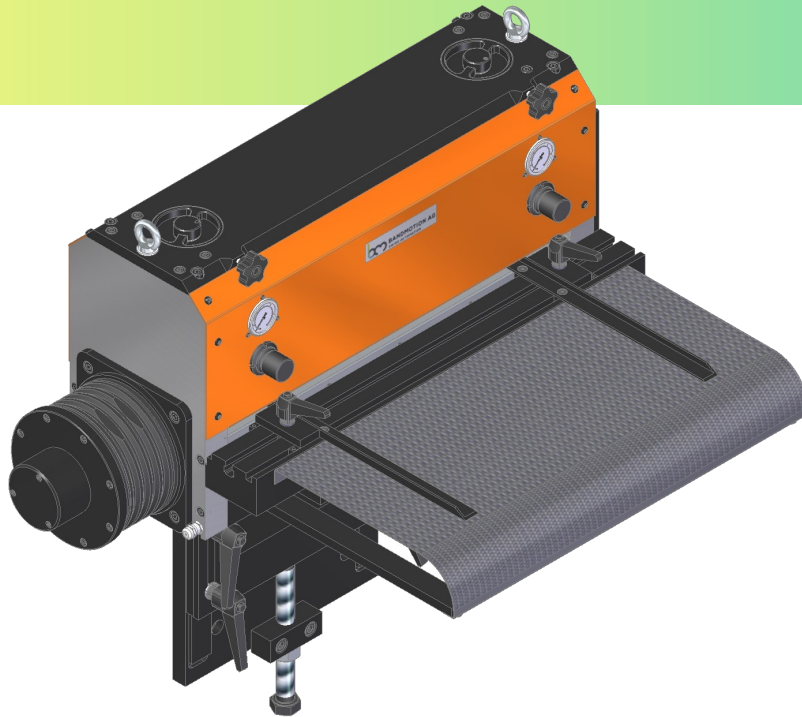




BANDMOTION AG
SWISS AUTOMATION

Roller feeder BMF 520-1020 T



Highlights at one glance

- ⇒ Compact system can be used pushing or pulling
- ⇒ Easy attachment to any downstream machine
- ⇒ Lower and upper roller driven backlash-free, with rubber coating
- ⇒ Fast pneumatic pilot releas
- ⇒ Roller lifting can be adjusted individually at the top and bottom
- ⇒ Roller pressure adjustable on both sides with precision regulators
- ⇒ Infeed sheet with belt guides and belt end sensor
- ⇒ Highly dynamic CNC drive with torque motor
- ⇒ CNC control as standard as built-in cassette or optionally as table-top housing
- ⇒ Linking the downstream machine to a 24V I/O unit with 18 inputs and 11 outputs
- ⇒ Integrated safety with pulse lock or monitoring unit up to PLe/SIL3
- ⇒ Stroke rate-dependent programming, multiple feeds, threading function
- Options:
 - ⇒ Optional RS232 interface for feed data transmission with ASCII protocol
 - ⇒ Optional various fieldbus connections
 - ⇒ Optional service software for device analysis, PLC programming and data backup
 - ⇒ Optional synchronous mode with downstream machine
 - ⇒ Further options such as measuring wheel, mark reader, cam gear etc.
 - ⇒ Special designs according to your specifications are possible at any time on request

Technical data

Strip width	max. 520-1020mm
Roller \varnothing	80mm
Roller opening	max. 9mm
Precision	+/- 0.05mm
Continuous tensile force	300 N
Speed max.	175m/min
Power supply	3x400V / 50Hz

Stroke rate diagram without pilot release with belt weight 1kg

